



Shallow well jet pumps



IRONJET



Pearl

IRON JET

Shallow well jet pumps

Features

IRON JET is a self priming jet pump, after the first priming the pump will never need to prime again. The pump design and features guarantees complete customer satisfaction, such as:

All components were carefully manufactured to assure the best performance and reliability.

IRON JET's construction is suitable for outdoor applications.

IRON JET comes equipped with PEARL pressure switch for quick installation.

Applications

- Supplying domestic water supply out of a well at desirable pressure.
- Lifting water containing air or other gases
- Boost pressure from flooded suction applications
- For garden use

Operating Conditions

- Liquid temperature: 32 °F to 150 °F
- Maximum working pressure: 125 PSI
- Continuous duty

Construction

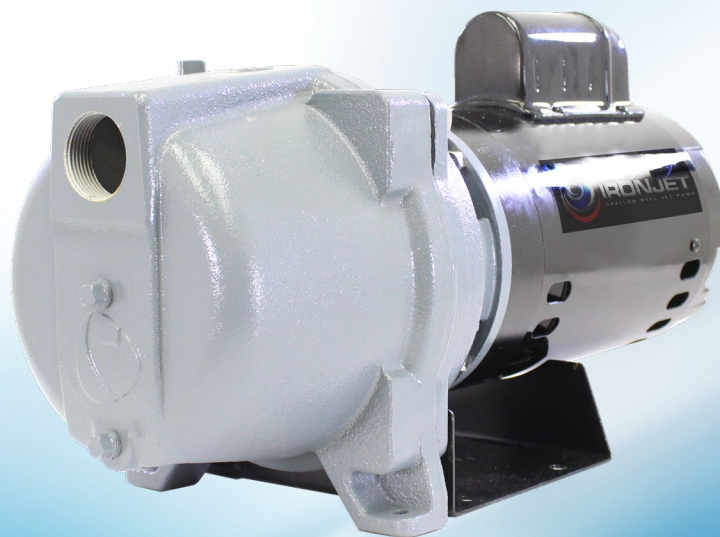
- Closed coupled self-priming centrifugal pump
- High quality components for domestic water supply and irrigation in respect to low lead requirements
- Connections threaded ports NPT
- All hardware in Stainless Steel
- Pre-drilled priming port with plug
- Pre-drilled drain port with plug for maintenance
- U shape base on all models gives a complete full support to the pump

Motor

- Nema Standard ODP 56J motors for much cooler surface temperature
- Thermal overload protection
- Capacitor start, capacitor run type motor for the ½ - ¾ Hp versions
- Permanent Split Capacitor (PSC) without centrifugal switch for the 1 - 1½ Hp versions
- Front bearing 6204 for much longer life span
- All copper winding
- Class F Dupont Nomex Insulation System, cCSAus approved
- Single phase ½ - ¾ - 1 - 1½ Hp, 115/230 V
- Easy voltage conversion
- Maximum ambient temperature admitted: 40 °C (104 °F)

Assembled With

- PEARL Pressure switch



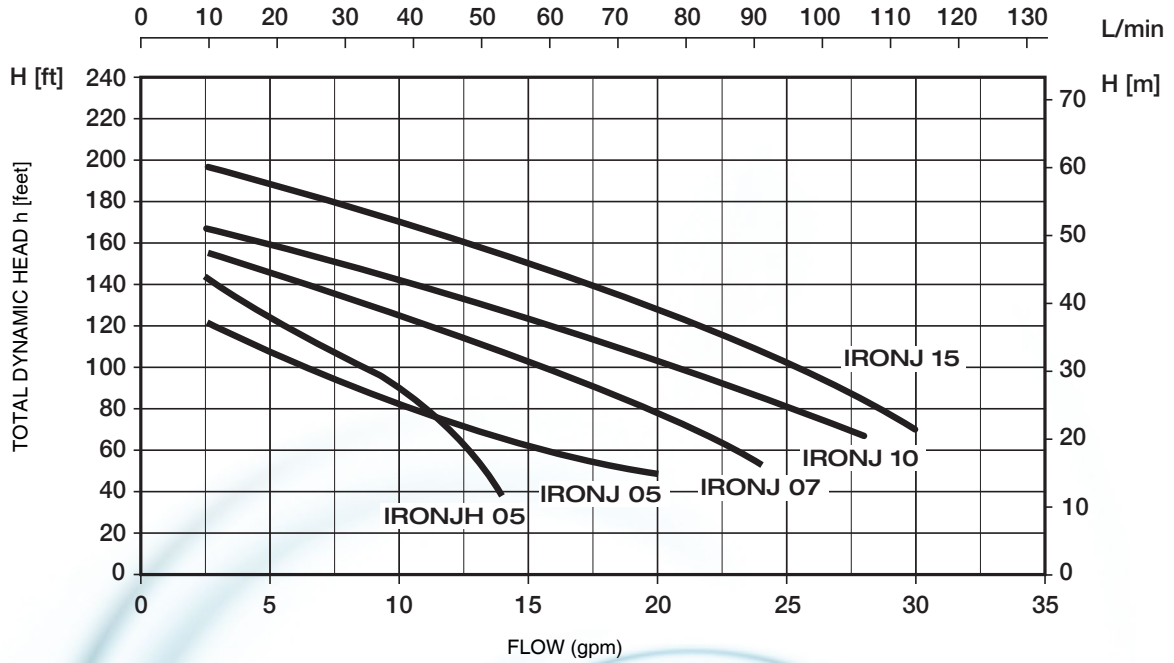
Technical Data

MODEL	HP	VOLT	PHASE	MAX. AMP	SUCT.	DISCH.
IRONJ 05	0.5	115/230	1	10.3 / 5.15	1 1/4"	1"
IRONJH 05	0.5	115/230	1	10.3 / 5.15	1 1/4"	1"
IRONJ 07	0.75	115/230	1	13.4 / 6.7	1 1/4"	1"
IRONJ 10	1	115/230	1	16.6 / 8.3	1 1/4"	1"
IRONJ 15	1.5	115/230	1	21 / 10.5	1 1/4"	1"

Materials

COMPONENT	MATERIAL
PUMP CASING	Cast Iron
IMPELLER	PPE + PS, including SS304 inserts
DIFFUSSER	PP, Volute with ss304 wear ring
SHAFT	SS304 + 40Cr
MECHANICAL SEAL	SIC/SUS316/EPDM

Performance Curves | n= 3450 rpm



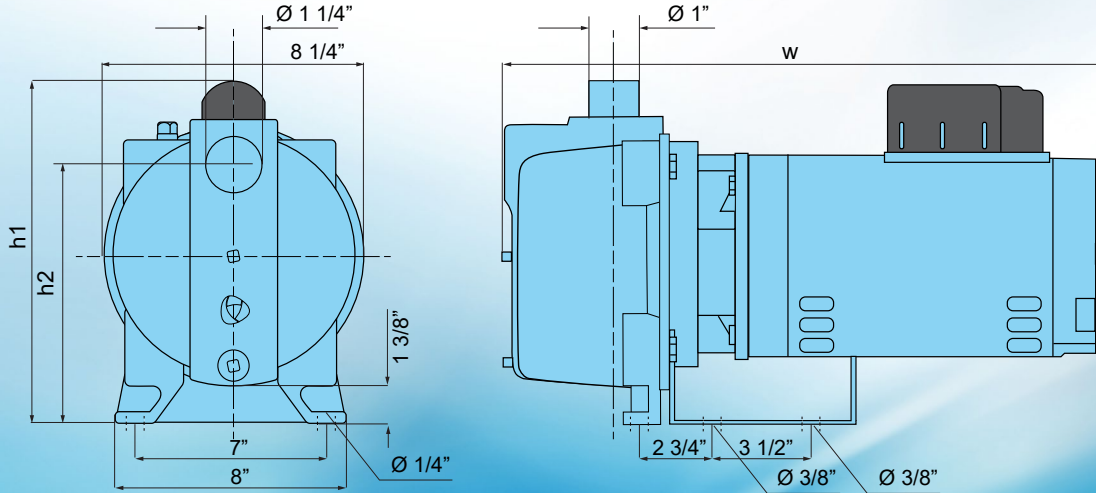
MODEL	HP	SUCTION LIFT DEPTH (feet)	DISCHARGE PRESSURE - PSI					MAX SHUT - OFF PSI
			20	30	40	50	60	
			FLOW US GPM					
IRONJ 05	0.5	5	20	13	8	3		58
		10	17	12	7	2		56
		15	15	10	6	1.5		52
		20	13	9.4	5			51
		25	11	8	3			51
IRONJH 05	0.5	5		12	9	6	3.5	83
		10		11	8	5	3.3	80
		15		10	7	4.8	2.8	77
		20		8	6.5	4.5	2.5	74
		25		6.3	6	4.2	2.2	72
IRONJ 07	0.75	5	22.2	21	16	11	6.5	69
		10	22	19	15	9	5.5	67
		15	21.5	18	14	8	3.5	65
		20	21	15	13	7	2	62
		25	20	11	10	6	1.8	60
IRONJ 10	1.0	5		25	22	16	8	70
		10		23	19	14	6.5	69
		15		20	18.5	13	4	66
		20		18	17	12	2.5	63
		25		16	15	10	2	60
IRONJ-15	1.5	5		29	26	22	16	87
		10		25	24	20	15	82
		15		21	22	19	13	80
		20		19	20	18	11	75
		25		16	15	15	9	74



Pearl

IRON JET

Shallow well jet pumps



Pump Dimensions

MODEL	SUCTION	DISCHARGE	DIMENSIONS			WEIGHT
	DN	DN	h1	h2	w	lbs
IRONJ 05	1 1/4"	1"	10 1/8"	7 3/4"	20 1/8"	51
IRONJH 05	1 1/4"	1"	10 1/8"	7 3/4"	20 1/8"	51
IRONJ 07	1 1/4"	1"	10 1/8"	7 3/4"	20 1/8"	54
IRONJ 10	1 1/4"	1"	10 1/8"	7 3/4"	20 1/8"	63
IRONJ 15	1 1/4"	1"	10 1/8"	7 3/4"	20 1/8"	67

Packaging Dimensions

MODEL	L	W	H	WEIGHT
	inch	inch	inch	lbs
IRONJ 05	22 1/2"	11 3/4"	12 3/4"	57
IRONJH 05	22 1/2"	11 3/4"	12 3/4"	57
IRONJ 07	22 1/2"	11 3/4"	12 3/4"	60
IRONJ 10	22 1/2"	11 3/4"	12 3/4"	69
IRONJ 15	22 1/2"	11 3/4"	12 3/4"	73



PD WATER SYSTEMS - 3000 W. 16 Ave. Miami, FL 33012. TEL: (954) 474 9090 FAX: (954) 889 0413

www.pearlwatersystems.com | [pearlwatersystems](https://www.facebook.com/pearlwatersystems)

LAST MODIFIED 05/2019