

10. CM, CME and Boosters

CM, CME

50/60 Hz

Drain plug, CM

Pos.	Kit No	96932395		96932396
	Description	Material	E/V	K
25	Drain plug	-	2	2
11	O-ring for plug	EPDM	2	-
		FKM	2	-
		FFKM	-	2

Motor bearing

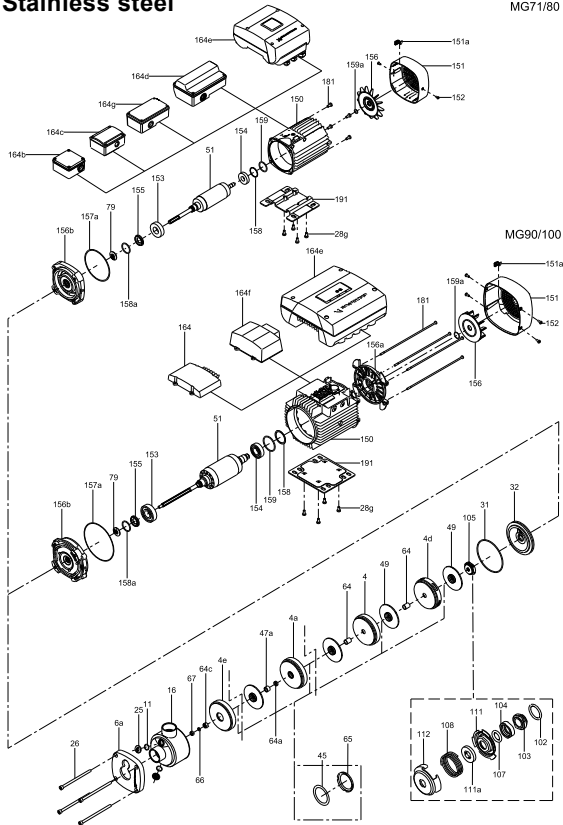
Pos.	Motor type	MG(E)71/80	MG(E)90	MG(E)100	MG(E)112	MG(E)132
	Kit No	96932399	96932400	96932412	96932413	96932414
	Description	All	All	All	All	All
151a	Installation indicator	1	1	1	1	1
158	Corrugated spring	1	1	1	1	1
159	O-ring (NBR)	1	1	1	1	1
153	Ball bearing	1	1	1	1	1
154	Ball bearing	1	1	1	1	1
158a	O-ring	1	1	1	1	1
155	Bearing cover plate	1	1	1	1	1
79	Diverting disc	1	1	1	1	1
159a	Gasket	1	1	1	1	2

Neck ring

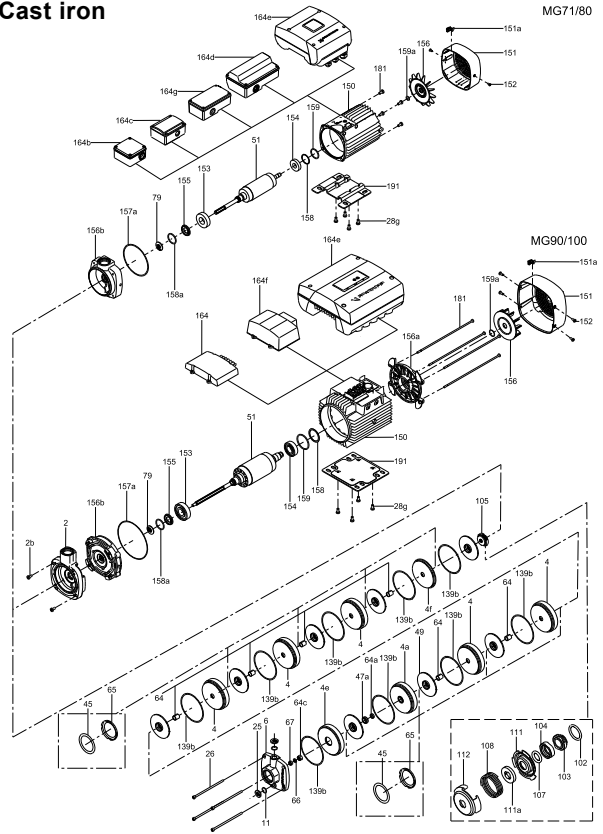
Pos.	Pump type	CM1/3/5	CM1/3/5	CM10/15/25	CM10/15/25
			Cold		Cold
	Kit No	96932397	96932447	96932398	96932448
	Description	All	All	All	All
45	Neck ring	14	14	8	8
65	Neck ring retainer	14	14	8	8

CM 1, 3, 5

Stainless steel

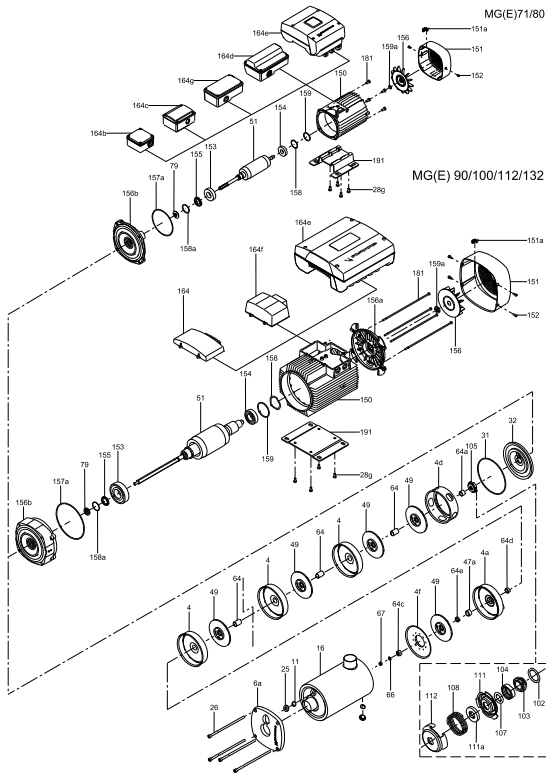


Cast iron

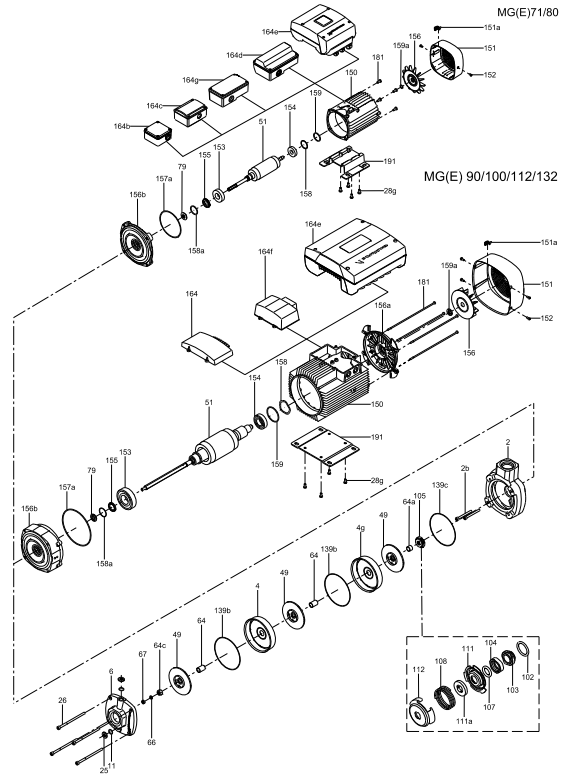


CM 10, 15, 25

Stainless steel



Cast iron



TM04 3588 4608 - TM04 3591 4608

TM04 3828 5108 - TM04 3829 5108

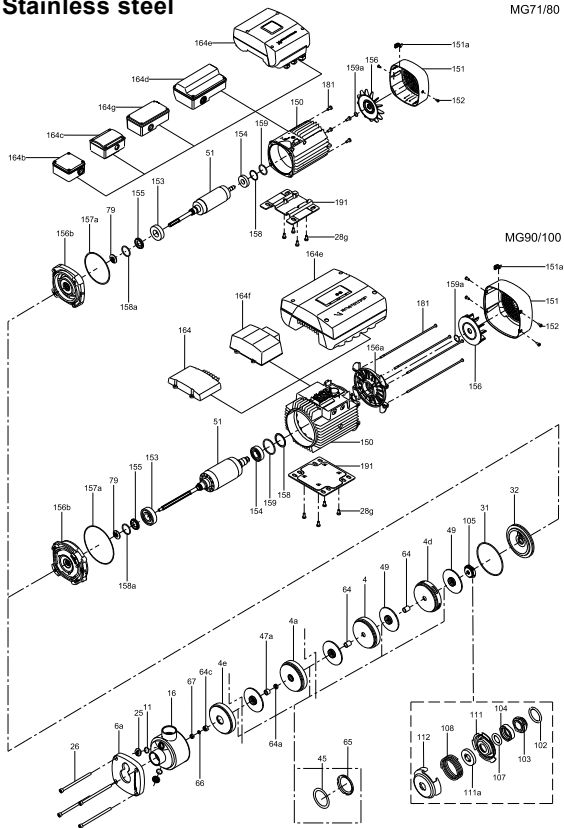
Seal kit (A version)

Pos.	Pump type		CM1/3/5				
	Kit No		96932350	96932392	988219372	98821938	98092347
	Description	Material	AVBE/V	AQQE/V	AUQE/V	AQBE/V	AQBE
102	O-ring	EPDM	1	1	1	1	1
		FKM	1	1	1	1	-
103	Stationary seal ring	SIC	-	1	1	-	-
		Carbon	1	-	-	1	1
104	Rotating seal ring	SIC	-	1	-	1	1
		Al2O3	1	-	1	-	-
105	O-ring	EPDM	1	1	1	1	1
		FKM	1	1	1	1	-
111	Seal ring retainer	-	1	1	1	1	1
108	Spring	-	1	1	1	1	1
111a	Stop ring	-	1	1	1	1	1
112	Seal driver	-	1	1	1	1	1
139b	Gasket	-	10	10	10	10	5
139c	Gasket ?144.5/D137.5 x 0.5	-	-	-	-	-	-
64c	Clamp	-	1	1	1	1	1
66	Lock washer (Nord-lock)	-	1	1	1	1	1
67	Nut	-	1	1	1	1	1

Pos.	Pump type		CM10/15/25			
	Kit No		96932393	96932394	98821932	98821933
	Description	Material	AVBE/V	AQQE/V	AUQE/V	AQBE/V
102	O-ring	EPDM	1	1	1	1
		FKM	1	1	1	-
103	Stationary seal ring	SIC	-	1	1	-
		Carbon	1	-	-	1
104	Rotating seal ring	SIC	-	1	-	1
		Al2O3	1	-	1	-
105	O-ring	EPDM	1	1	1	1
		FKM	1	1	1	-
111	Seal ring retainer	-	1	1	1	1
108	Spring	-	1	1	1	1
111a	Stop ring	-	1	1	1	1
112	Seal driver	-	1	1	1	1
139b	Gasket	-	6	6	10	5
139c	Gasket ?144.5/D137.5 x 0.5	-	1	1	-	-
64c	Clamp	-	1	1	1	1
66	Lock washer (Nord-lock)	-	1	1	1	1
67	Nut	-	1	1	1	1

CM 1, 3, 5

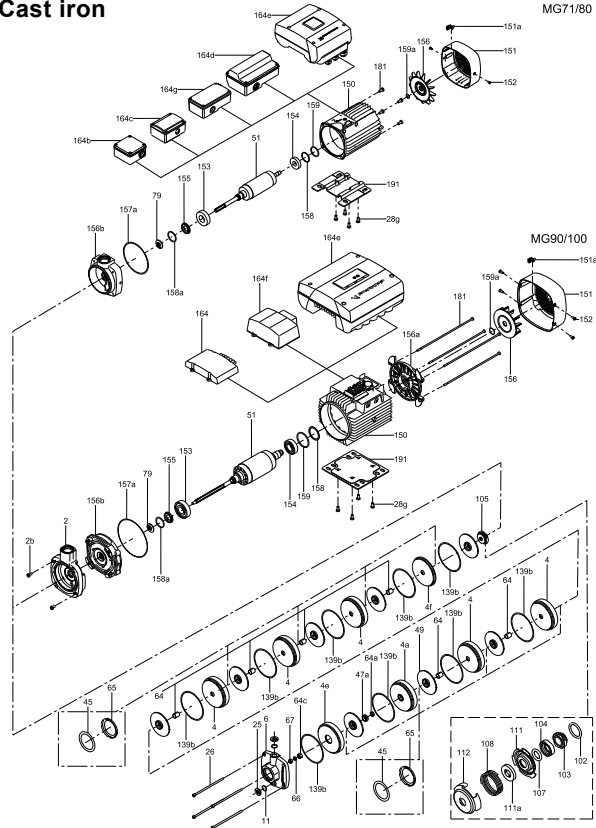
Stainless steel



MG71/80

MG90/100

Cast iron

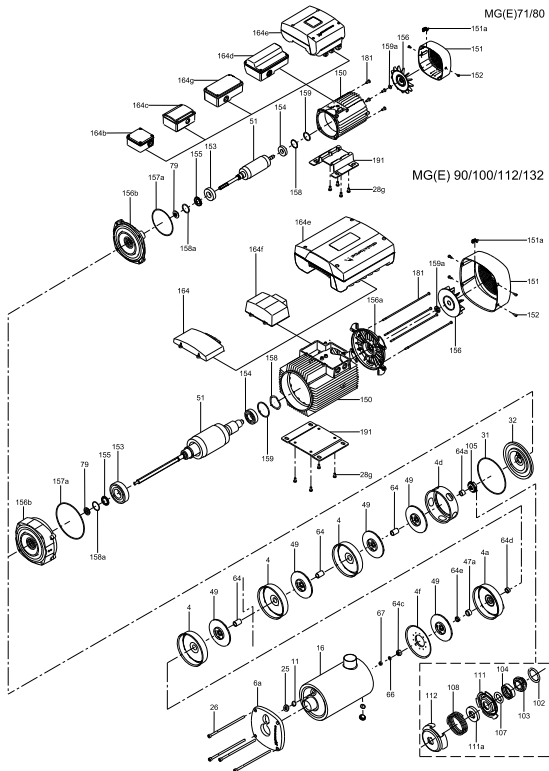


MG71/80

MG90/100

CM 10, 15, 25

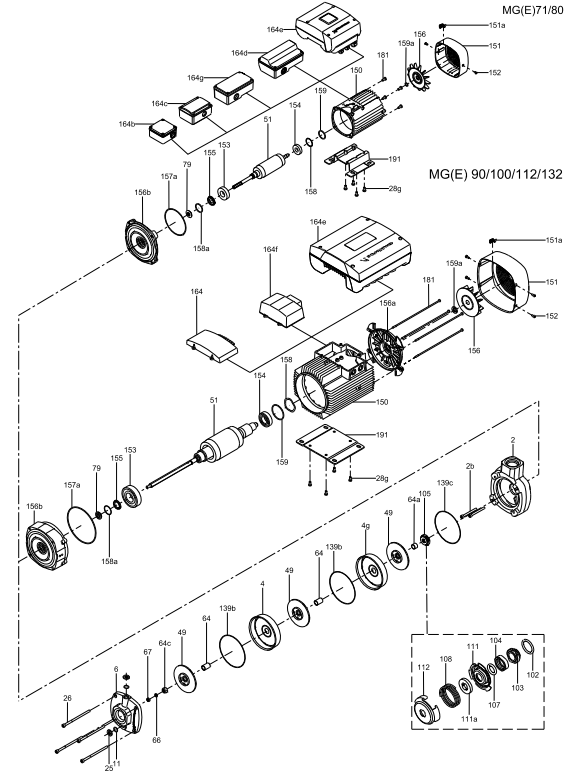
Stainless steel



MG(E)71/80

MG(E) 90/100/112/132

Cast iron



MG(E)71/80

MG(E) 90/100/112/132

TM04 3588 4608 - TM04 3591 4608

TM04 3828 5108 - TM04 3829 5108

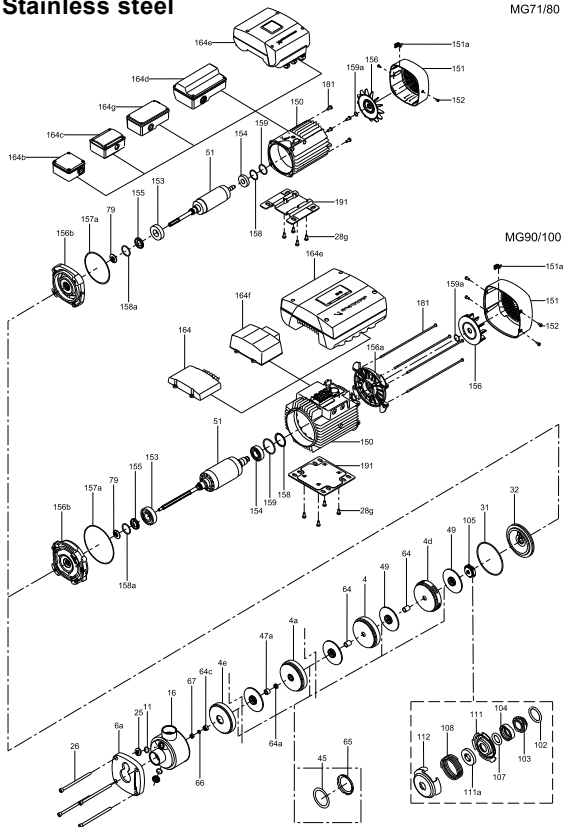
Seal kit (I and G version)

Pos.	Pump type		CM1/3/5					
	Kit No		96932438	96932440	96932441	98810275	98806252	98463764
	Description	Material	AVBE/V	AQQE/V	AQKQ	AQBE/V	AUQE/V	AQKQ/E/V
102	O-ring	EPDM	1	1	-	1	1	-
		FKM	1	1	-	1	1	-
		FFKM	-	-	1	-	-	1
103	Stationary seal ring	SIC	-	1	1	-	1	1
		Carbon	1	-	-	1	-	-
104	Rotating seal ring	SIC	-	1	1	1	-	1
		Al2O3	1	-	-	-	1	-
107	O-ring	EPDM	1	1	-	1	1	-
		FKM	1	1	-	1	1	-
		FFKM	-	-	1	-	-	1
111	Seal ring retainer	-	1	1	1	1	1	1
108	Spring	-	1	1	1	1	1	1
111a	Stop ring	-	1	1	1	1	1	1
112	Seal driver	-	1	1	1	1	1	1
31	O-ring	EPDM	1	1	-	1	1	1
		FKM	1	1	-	1	1	1
		FFKM	-	-	1	-	-	-
64c	Clamp	-	1	1	1	1	1	1
66	Lock washer (Nord-lock)	-	1	1	1	1	1	1
67	Nut	-	1	1	1	1	1	1

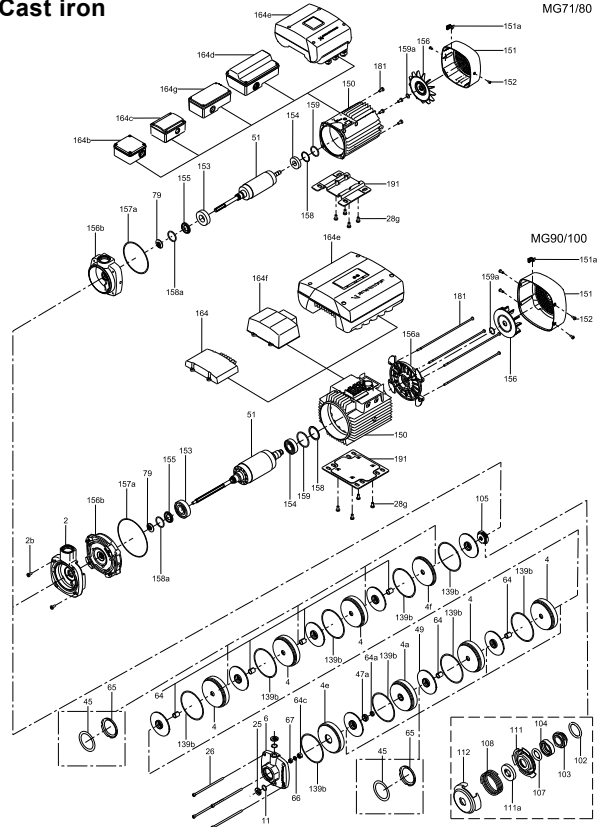
Pos.	Pump type		CM10/15/25					
	Kit No		96932443	96932445	96932446	98821912	98821920	98463766
	Description	Material	AVBE/V	AQQE/V	AQKQ	AQBE/V	AUQE/V	AQKQ/E/V
102	O-ring	EPDM	1	1	-	1	1	-
		FKM	1	1	-	1	1	-
		FFKM	-	-	1	-	-	1
103	Stationary seal ring	SIC	-	1	1	-	1	1
		Carbon	1	-	-	1	-	-
104	Rotating seal ring	SIC	-	1	1	1	-	1
		Al2O3	1	-	-	-	1	-
107	O-ring	EPDM	1	1	-	1	1	-
		FKM	1	1	-	1	1	-
		FFKM	-	-	1	-	-	1
111	Seal ring retainer	-	1	1	1	1	1	1
108	Spring	-	1	1	1	1	1	1
111a	Stop ring	-	1	1	1	1	1	1
112	Seal driver	-	1	1	1	1	1	1
31	O-ring	EPDM	1	1	-	1	1	1
		FKM	1	1	-	1	1	1
		FFKM	-	-	1	-	-	-
64c	Clamp	-	1	1	1	1	1	1
66	Lock washer (Nord-lock)	-	1	1	1	1	1	1
67	Nut	-	1	1	1	1	1	1

CM 1, 3, 5

Stainless steel

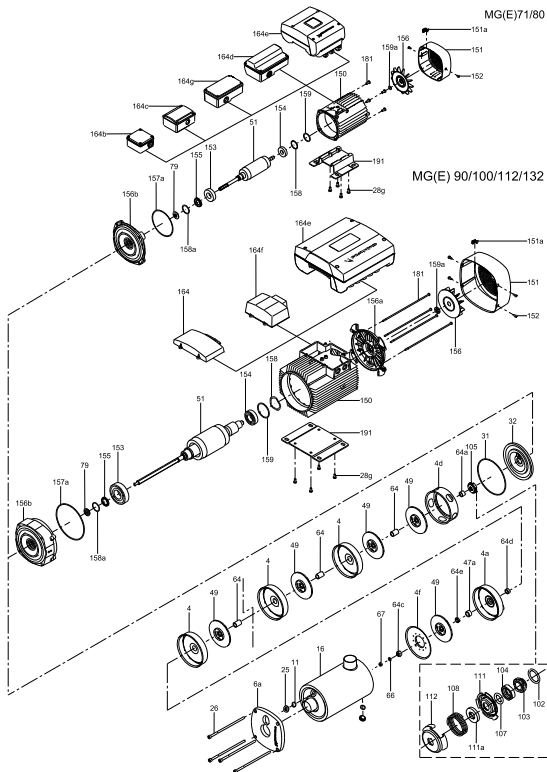


Cast iron

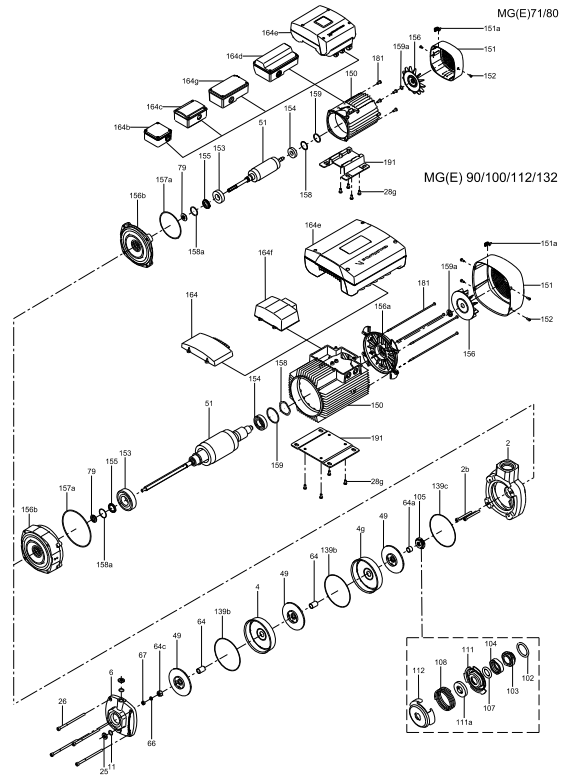


CM 10, 15, 25

Stainless steel



Cast iron



TM04 3588 4608 - TM04 3591 4608

TM04 3828 5108 - TM04 3829 5108

CM Self priming

50/60 Hz

Spares

Pos.	Description	Kit No
4d	Spare, Air separator chamber	98520101
4f	Spare, Empty chamber 27mm	98520102
4f	Spare, Empty chamber 18mm	98520103
64a	Spare, Spacing pipe 13mm	98520104

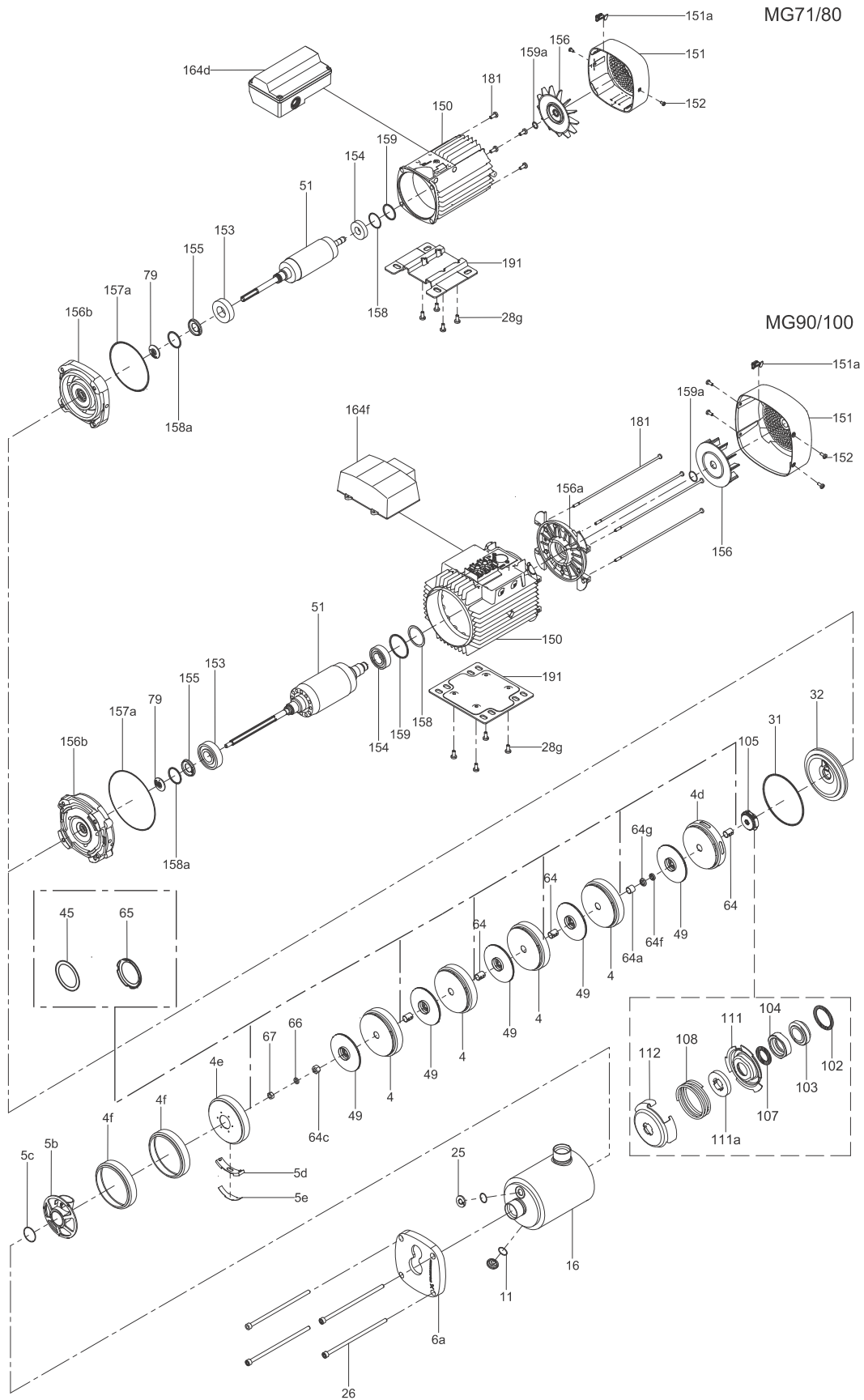
Spare sleeves

Pos.	Description	Kit No	Model / Version / Qty
	Sleeve CM1/3-7 Rp thread	98470942	CM-SP 1/3/5-3/4
16	Sleeve CM1/3-9 Rp thread	98470943	CM-SP 1/3/5-5/6
	Sleeve CM1/3-11 Rp thread	98470949	CM-SP 5-7

Valve kit

Pos.	Description	98519018	98519013
		4 meters	8 meters
4e			
5d	Chamber cpl. w. valve	1	1
5e			
64f			
64g	Container with rubber seal	1	1
5b	Water trap	1	1
5c	O-ring EPDM 37.0 x 2.62	1	1

CM Self priming



CM Self priming CM, CME and Boosters

TM05 8836 4913

CME Booster

50/60 Hz

Manometer

Pos.	Kit No	98906914	98906915
	Manometer thread	Rp	NPT
462	Manometer 0-16 bar	1	-
462	Manometer 0-200 PSI	-	1

Non return valve (RP and NPT)

Pos.	Kit No	98906916	98906917
	Valve size	1"	1 1/2"
405a	Gate	1	1
405b	Spring	1	1
405c	O-ring	1	1
405d	Washer	-	1

Pressure tank

Pos.	Kit No	98906908	98906909
	Tank thread	Rp	NPT
305	2 liter GT-H tank with Rp thread	1	-
305	2 liter GT-H tank with NPT thread	-	1

Sensor kit

Pos.	Kit No	98906904	98906905
	Sensor thread	Rp	NPT
461a	Sensor MBS 1900 0-10 bar	1	1

German version with inlet pressure switch

Inlet pressure switch

Pos.	Kit No	99010690
	Thread	Rp
407	Inlet pressure switch	1

Manometer

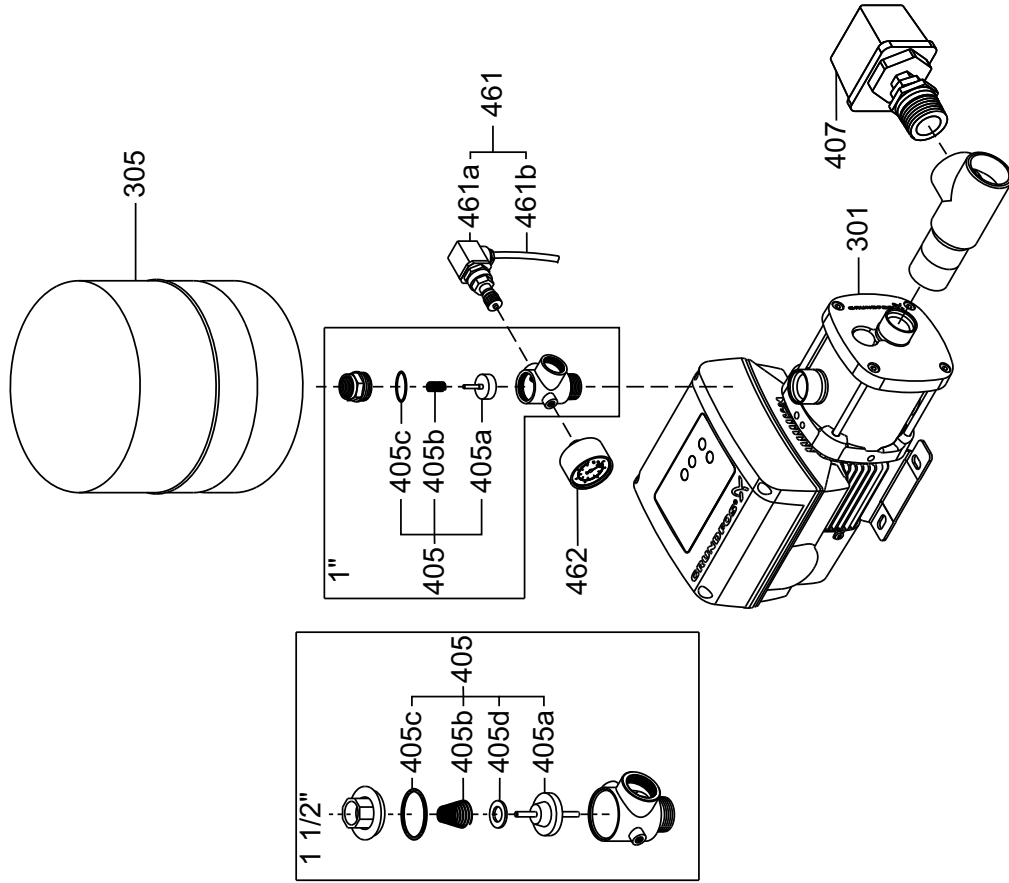
Pos.	Kit No	99010691
	Manometer thread	Rp
462	Manometer	1

Sensor kit

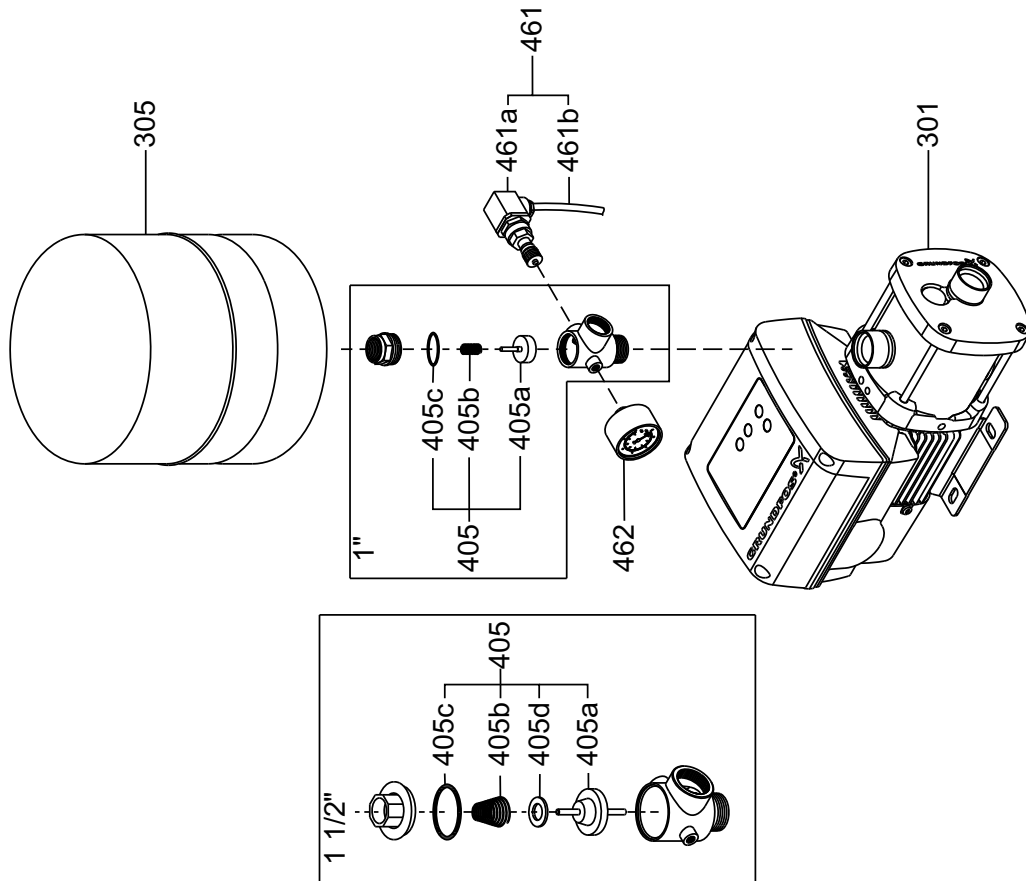
Pos.	Kit No	99010689
	Sensor thread	Rp
461a	Sensor	1

CME Booster

CMBE German version with pressure switch



CMBE



TM06 4097 3115

CM Booster PT, PS

50/60 Hz

Hose, kits

	Kit No	98906918	98906919
Pos.	Model	CMB PT	CMB PT
	Tanks size	24 liter	60 liter
309	Rubber hose with fittings	1	-
309	Rubber hose with fittings	-	1
406	Gasket	1	1

Manometer

	Kit No	98906913
Pos.	Model	CMB PT / CMB PS
462	Manometer	1

Non return valve CMB PS & CMB PT vertical tank

	Kit No	98906916	98906917
Pos.	Model	CMB PS/PT	CMB PS
	Valve size	1"	1 1/2"
405a	Gate	1	1
405b	Spring	1	1
405c	O-ring	1	1
406	Gasket	1	-
405d	Washer	-	1

Pressure switch kit

	Kit No	98906906	98906907
Pos.	Model	CMB PS	CMB PT
407a	Pressure switch	1	1

Pressure tank

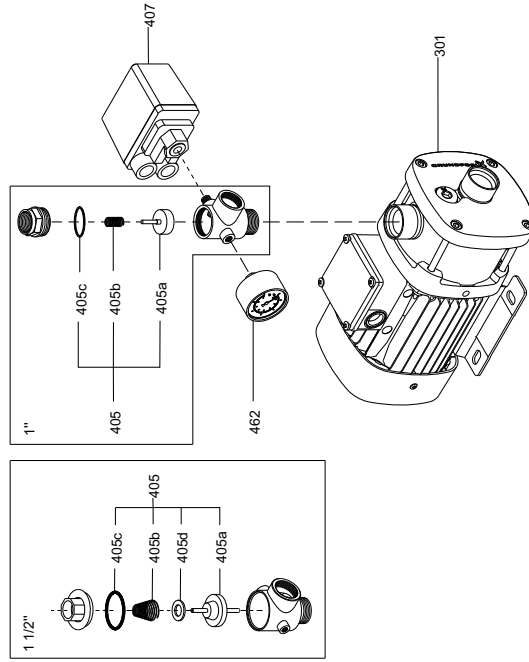
	Kit No	98906910	98906911	98906912
Pos.	Model	CMB PT	CMB PT	CMB PT
305	24 liter GT-H tank	1	-	-
305	60 liter GT-H tank	-	1	-
305	18 liter GT-H tank	-	-	1
406	Gasket	2	2	2

CMB PM1, CMB PM2

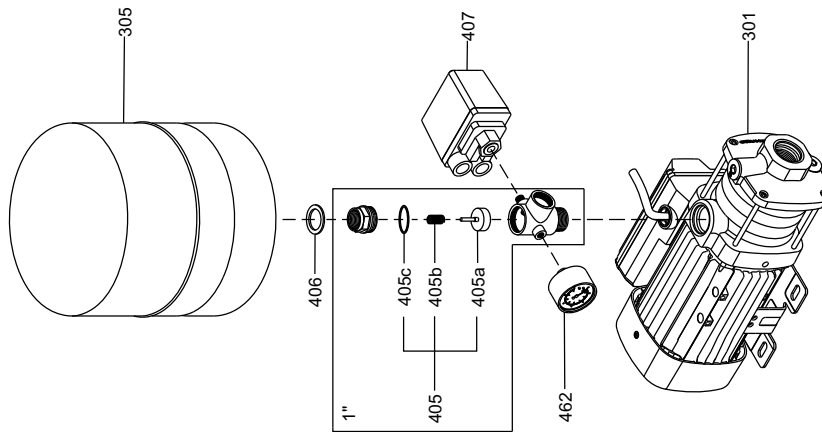
See *Pressure Manager* page 942 for PM parts.

CM Booster

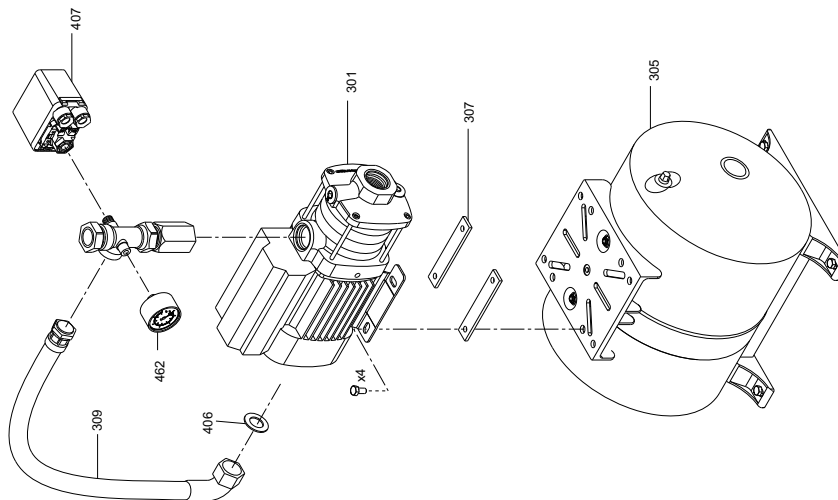
CMB PS



CMB PT (vertical tank)



CMB PT (Horizontal tank)



TM06 4098 3115 - TM06 3604 2815 - TM06 4362 2615