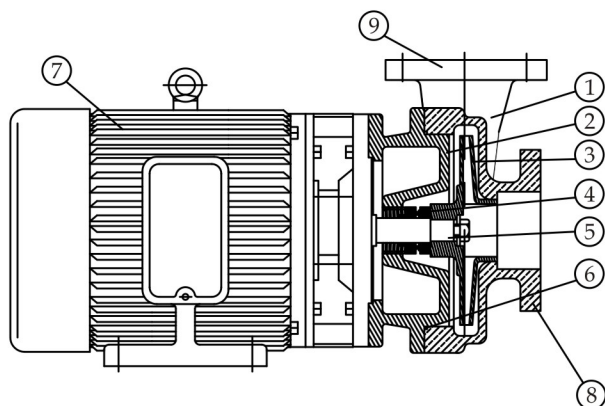




**CPS-Series
Stainless steel pump
(SUS304 or SUS316)**
(Sea water delivering is allowed)

Sectional View



Operating Conditions

1. Ambient temperature: 0~40°C.
2. Liquid temperature: 0~60°C.
3. For clean water without solid abrasives.
No flammable or corrosive liquids.
4. Working pressure: Max. 10 bar.

Applications

1. Heating and cooling water circulation.
2. Broad range of industrial applications.
3. Open loop and close loop water circuit systems.
4. Water supply and pressure boosting systems.
5. Process water for paper mill, brewery, refinery.
6. Boiler feed, washing and cleaning system.
7. Water supply and disposal for households.
8. Water circulation for cooling tower, air-condition facilities.

Features

1. The motor and pump are connected with the same shaft, for eliminating fluctuation and reducing installation and maintenance cost.
2. Special volute channel design for silent operation and high efficiency.
3. Compact & robust structure for saving space and easy installation.

Strong One-piece formed impeller



Bronze close type impeller
for CP-series



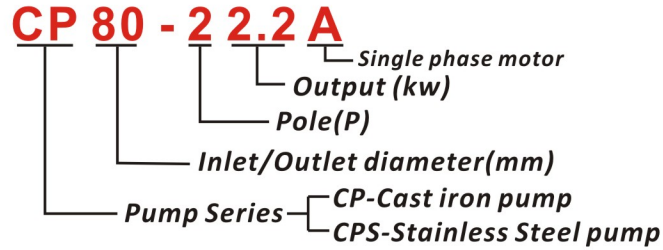
SUS close type impeller
for CPS-series

Motor Spec.

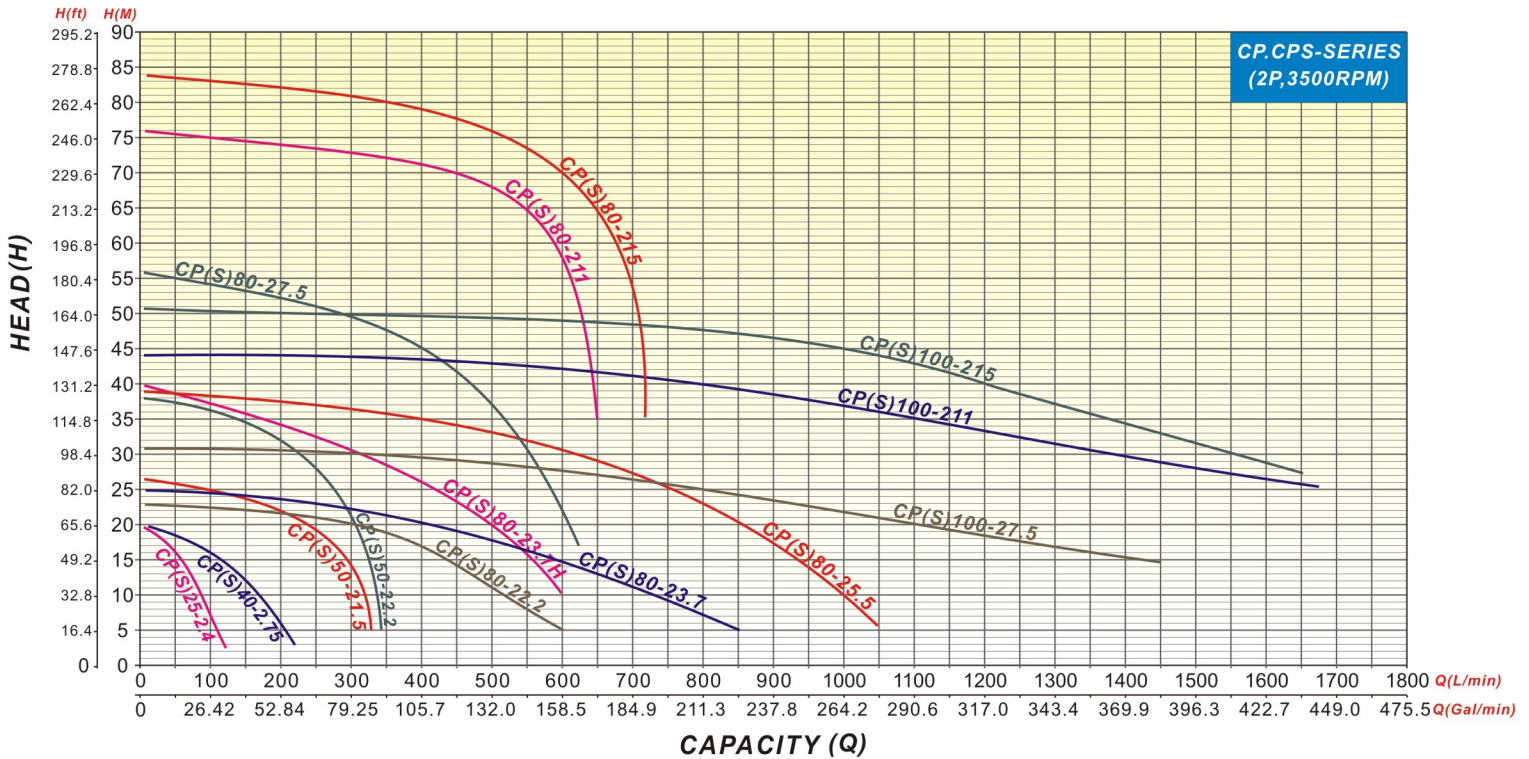
1. Voltage: Single phase 110~220 V(0.5~2HP)
Three phase 220~660V
2. Frequency: 60HZ
3. Enclosed class: IP54
4. Insulation: E, B, F
5. Enclosed Fan cooled, 2 or 4 Pole motor.

Part name	Standard Material	Substitute Material
1. Pump casing	FC200	SUS304/SUS316
2. Back cover	FC200	SUS304/SUS316
3. Impeller	Bronze	SUS304/SUS316
4. Mechanical seal	CA/CE	SIC/SIC
5. Main shaft	SUS420	SUS304
6. O-ring	NBR	TEFLON
7. Motor casing	FC200	-----
8. Inlet flange	FC200	SUS304
9. Outlet flange	FC200	SUS304

Model Code



Performance Curves

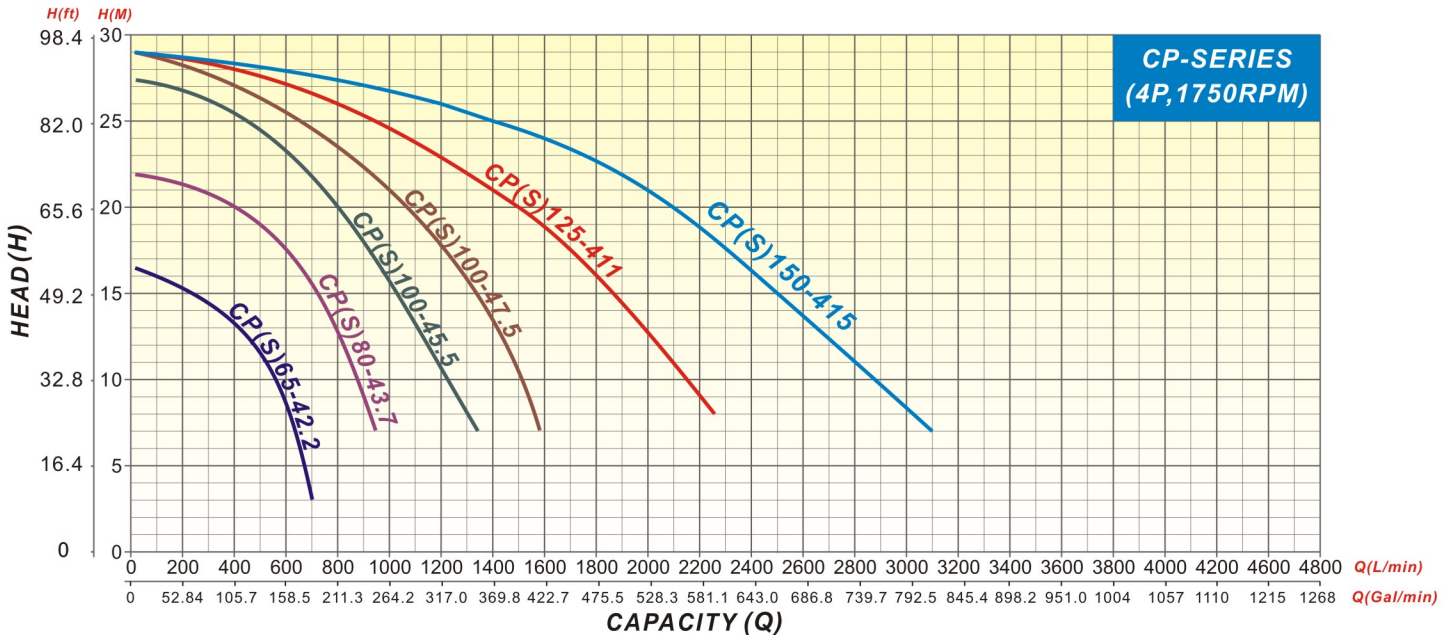


Specification & Performance Table

Model		Impeller Dia. MM	Output(P2)		Pole P	Inlet Inch	Outlet Inch	Max. Head		Rated Head		Rated Capacity	
CP-series	CPS-series		HP	KW				M	FT	M	FT	L/min	M ³ /hr
CP25-2.4	CPS25-2.4	110	0.5	0.37	2	1"	1"	20	66	10~15	33~49	85~60	5.1~3.6
CP40-2.75	CPS40-2.75	108	1	0.75	2	1.5"	1.5"	20	66	12~16	39~52	150~100	9.0~6.0
CP50-21.5	CPS50-21.5	122	2	1.5	2	2"	2"	25.5	84	18~20	59~66	270~240	16.2~14.4
CP50-22.2	CPS50-22.2	150	3	2.2	2	2"	2"	38	125	25~30	82~98	280~230	16.8~13.8
CP80-22.2	CPS80-22.2	117	3	2.2	2	3"	3"	23	75	11~17	36~56	500~400	30~24
CP80-23.7H	CPS80-23.7H	160	5	3.7	2	3"	3"	40	131	20~26	66~85	500~400	30~24
CP80-23.7	CPS80-23.7	134	5	3.7	2	3"	3"	25	82	13~19	43~62	650~450	39~27
CP80-25.5	CPS80-25.5	149	7.5	5.5	2	3"	3"	39	128	29~34	95~112	650~450	39~27
CP80-27.5	CPS80-27.5	183	10	7.5	2	3"	3"	56	184	37~45	121~148	500~400	30~24
CP100-27.5	CPS100-27.5	149	10	7.5	2	4"	4"	31	102	20~25	66~82	1100~800	66~48
CP80-211	CPS80-211	207	15	11	2	3"	3"	76	249	58~68	190~223	600~500	36~30
CP100-211	CPS100-211	178	15	11	2	4"	4"	44	144	35~40	115~131	1100~800	66~48
CP80-215	CPS80-215	214	20	15	2	3"	3"	84	276	70~76	230~249	600~500	36~30
CP100-215	CPS100-215	190	20	15	2	4"	4"	51	167	40~45	131~148	1200~1000	72~60

● Special specification or performance request is available upon request.
 ● CP: Cast iron pump
 ● CPS: Stainless steel pump

Performance Curves

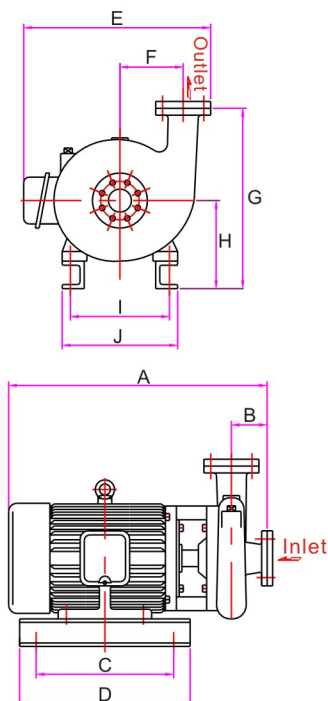


Specification & Performance Table

Model		Impeller Dia.	Output(P2)		Pole	Inlet	Outlet	Max. Head		Rated Head		Rated Capacity	
CP-series	CPS-series	MM	HP	KW	P	Inch	Inch	M	FT	M	FT	L/min	M ³ /hr
CP65-42.2	CPS65-42.2	200	3	2.2	4	2.5"	2.5"	16.5	54	12.5~14	41~46	450~350	27~21
CP80-43.7	CPS80-43.7	214	5	3.7	4	3"	3"	22	72	16.5~19	54~62	650~500	39~30
CP100-45.5	CPS100-45.5	245	7.5	5.5	4	4"	4"	27.5	90	13~20	43~66	1100~800	66~48
CP100-47.5	CPS100-47.5	240	10	7.5	4	4"	4"	29	80	19.5~23.5	64~77	1100~800	66~48
CP125-411	CPS125-411	240	15	11	4	5"	5"	29	95	16~20	53~66	1800~1500	108~90
CP150-415	CPS150-415	250	20	15	4	6"	6"	29	95	20~24	66~80	2100~1600	126~96

Special specification or performance request is available upon request. CP: Cast iron pump CPS: Stainless steel pump

Dimension



(2P, 3500rpm, 60Hz)

(unit:mm)

Model	A	B	C	D	E	F	G	H	I	J	Weight
CP(S)25-2.4	335	45	205	230	243	65	181	86	112	146	20kg
CP(S)40-2.75	348	45	205	230	264	70	220	95	125	160	25kg
CP(S)50-21.5	408	62	238	260	306	82	242	105	140	175	36kg
CP(S)50-22.2	395	49	238	260	319	95	265	115	140	175	43kg
CP(S)80-22.2	411	59	238	260	319	80	265	105	140	175	43kg
CP(S)80-23.7H	481	74	265	300	355	100	297	142	190	240	68kg
CP(S)80-23.7	481	76	265	300	355	100	297	142	190	240	68kg
CP(S)80-25.5	523	73	265	300	388	100	320	162	216	266	90kg
CP(S)80-27.5	559	81	265	300	429	120	327	162	216	266	103kg
CP(S)100-27.5	570	92	265	300	415	110	330	160	216	266	111kg
CP(S)80-211	676	81	350	400	508	140	410	230	254	308	147kg
CP(S)100-211	688	90	345	400	500	145	390	200	270	325	164kg
CP(S)80-215	676	81	350	400	508	140	410	230	254	308	175kg
CP(S)100-215	688	90	345	400	500	145	390	200	270	325	180kg

(4P, 1750rpm, 60Hz)

(unit:mm)

Model	A	B	C	D	E	F	G	H	I	J	Weight
CP(S)65-42.2	447	65	250	300	415	150	320	170	160	205	59kg
CP(S)80-43.7	488	81	250	300	423	140	362	182	190	235	87kg
CP(S)100-45.5	579	104	250	300	473	155	425	202	216	260	115kg
CP(S)100-47.5	617	104	250	300	473	155	425	202	216	260	128kg
CP(S)125-411	696	97	350	400	555	155	458	230	254	308	185kg
CP(S)150-415	775	121	350	400	588	173	470	230	254	308	220kg

(S): Stainless steel pump-CPS

MAIN APPLICATIONS

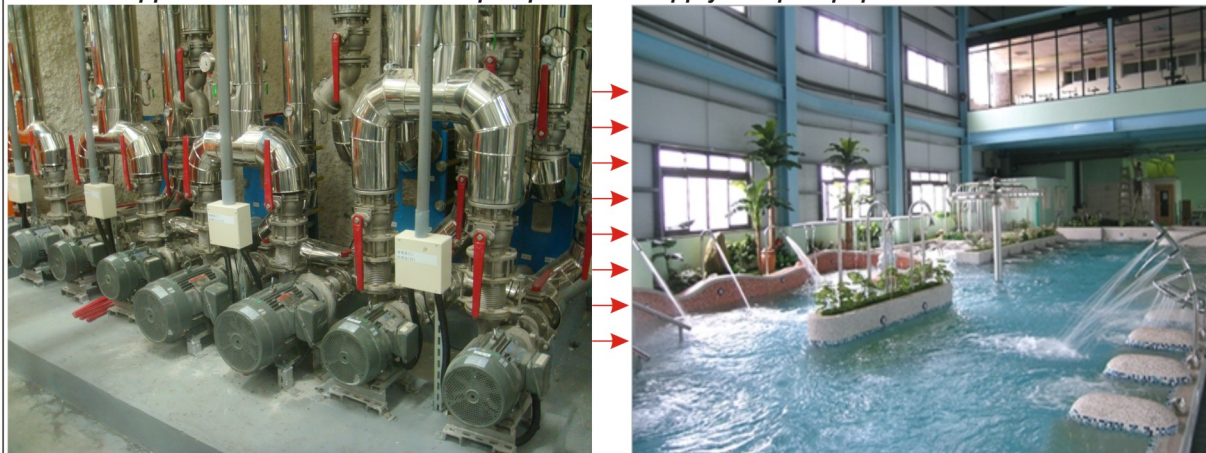
1. Actual applications of EVERGUSH CP pumps~Water circulation for Cooling Tower(air-condition systems)



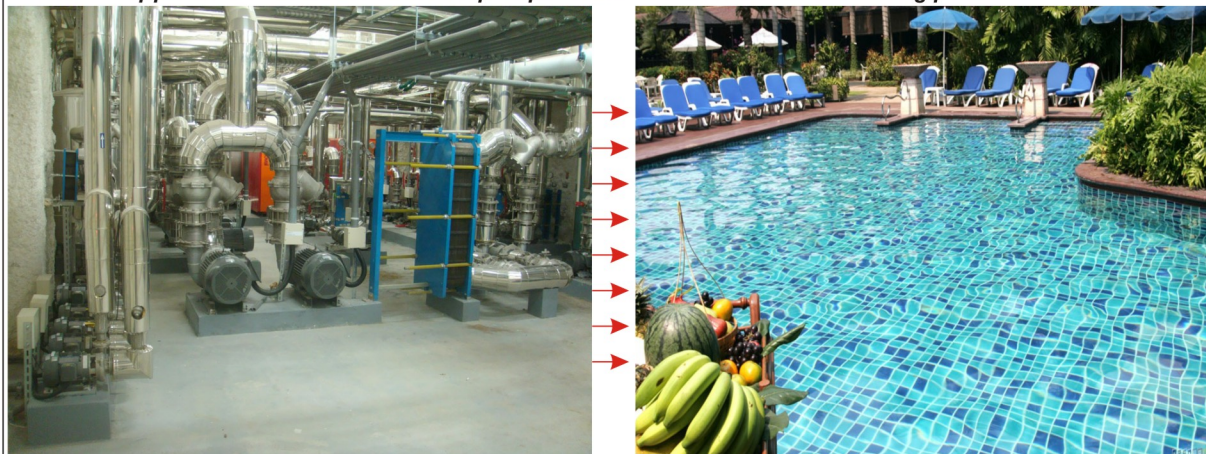
2. Actual applications of EVERGUSH CP pumps~Water circulation for chiller(air-condition systems)



3. Actual applications of EVERGUSH CP pumps~Water supply for spa equipment

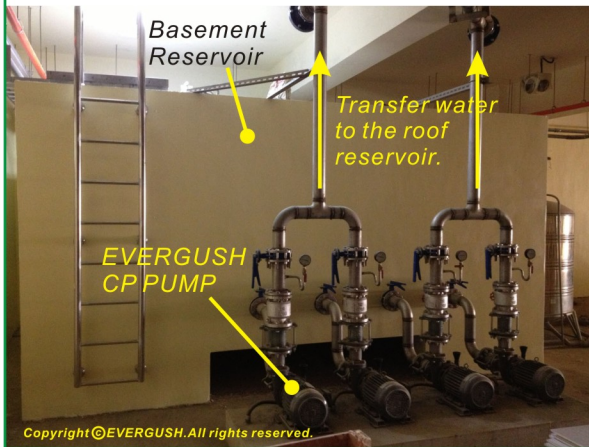


4. Actual applications of EVERGUSH CP pumps~Water circulation for swimming pool

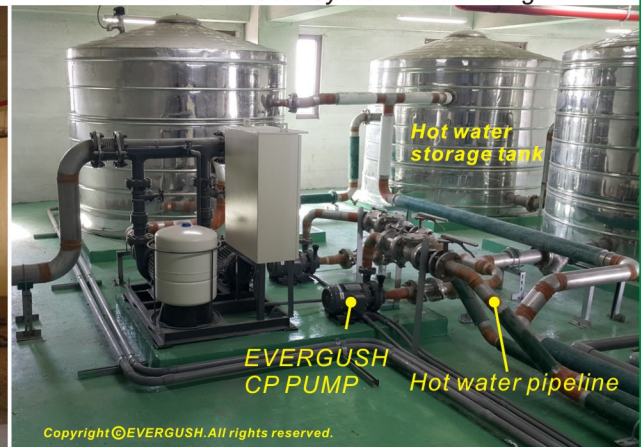


MAIN APPLICATIONS

Transfer water to roof reservoir of the building



Hot water transfer or circulation for hot water system of building



Water transfer and circulation for fountain or landscaping.



EVERGUSH UP-series Pump set is installed in the top floor of the building, connecting inlet pipes with water storage tank. The pump system auto-boost constant water pressure downward the whole building.

